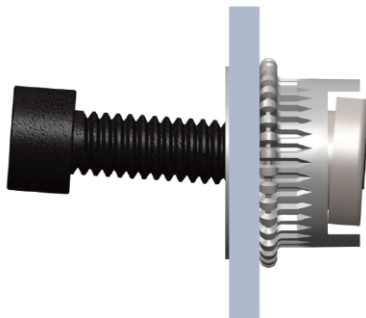
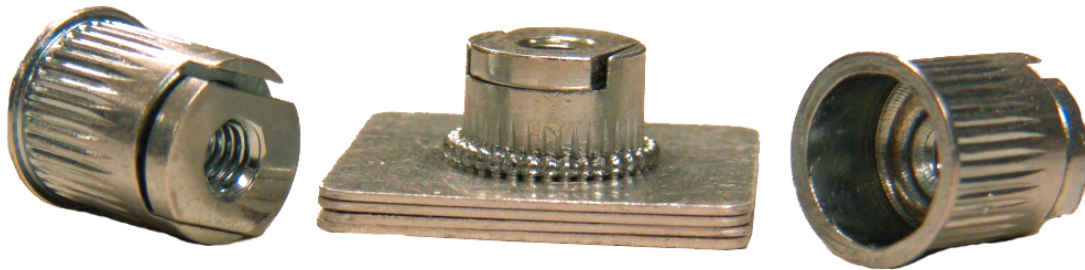




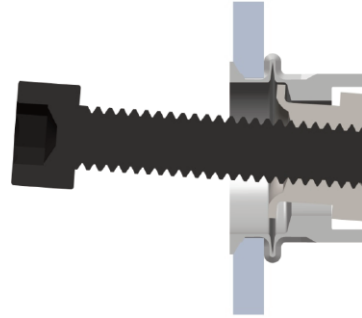
# RIV-FLOAT® - SHORT

Floating internal threads allow for component attachments in off center applications

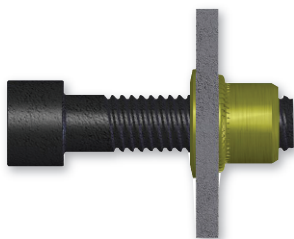
The NEW Low-Profile addition to the RIV-FLOAT® family



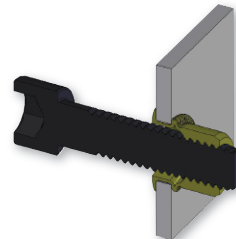
RIV-FLOAT® - SHORT Installed



CROSS SECTION OF RIV-FLOAT® - SHORT Installed



Standard Rivet Nut Installed

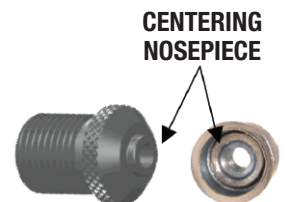


Cross Section of a Standard Rivet Nut Installed

Sherex rivet nuts are compatible with the following hardware:  
**GRADE 2, GRADE 5, CLASS 8.8 and CLASS 9.8**  
Please contact Sherex when using other grade fasteners.



**RIV-FLOAT® - SHORT is installed with Flex-5 Hydro-Pneumatic tool  
with RIV-FLOAT® - SHORT Anvil**

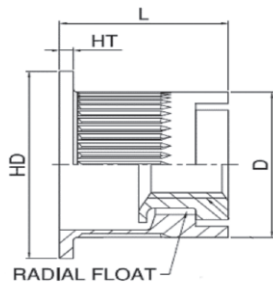


CENTERING NOSEPIECE

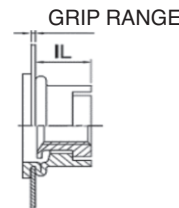
**Ensure easy, accurate, and fast attachment of components in off center applications.**

**Features and Benefits of RIV-FLOAT® - SHORT**

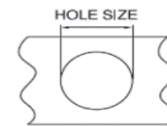
- ACCOUNTS FOR TOLERANCE STACK UP IN JOINT DESIGN AND MISALIGNMENT DURING SERVICE OF THE JOINT
- NEW LOW-PROFILE DESIGN PROVIDES GREATER BACKSIDE CLEARANCE
- ALLOWS INSTALLATION POST FINISH IN APPLICATIONS WHERE WELD NUTS OR CAGE NUTS ARE TYPICALLY USED
- MECHANICALLY LOCKED RIV-FLOAT® - SHORT AVAILABLE WITH PREVAILING TORQUE FEATURE TO IFI SPEC 100/107
- 0.020" RADIAL FLOAT
- ROHS COMPLIANT



**Uninstalled**



**Installed**



<b>RFSK SERIES - SMALL FLANGE</b>										
SHEREX Part Number Inch - Steel	Thread Size	Radial Float	Grip Range		L ± .01	HD ± .012	HT ± .003	D Max.	IL Ref.	Hole Size +.006/-0.000
			Min.	Max.						
RFSK2-0832-100	8-32 UNC	0.020	.020	.100	.394	.480	.025	.431	.246	.433
RFSK2-1024-100	10-24 UNC	0.020	.020	.100	.394	.480	.025	.431	.246	.433
RFSK2-1032-100	10-32 UNF	0.020	.020	.100	.394	.480	.025	.431	.246	.433
SHEREX Part Number Metric - Steel	Thread Size	Radial Float	Grip Range		L ± .25	HD ± .30	HT ± .07	D Max.	IL Ref.	Hole Size +.15/-0.00
			Min.	Max.						
RFSK2-470-2.5	M4x0.7 ISO	0.50	0.5	2.5	10.00	12.20	.63	10.95	6.25	11.00
RFSK2-580-2.5	M5x0.8 ISO	0.50	0.5	2.5	10.00	12.20	.63	10.95	6.25	11.00

<b>RFSL SERIES - LARGE FLANGE</b>										
SHEREX Part Number Inch - Steel	Thread Size	Radial Float	Grip Range		L ± .01	HD ± .015	HT ± .003	D Max.	IL Ref.	Hole Size +.006/-0.000
			Min.	Max.						
RFSL2-0832-100	8-32 UNC	0.020	.020	.100	.406	.555	.033	.431	.246	.433
RFSL2-1024-100	10-24 UNC	0.020	.020	.100	.406	.555	.033	.431	.246	.433
RFSL2-1032-100	10-32 UNF	0.020	.020	.100	.406	.555	.033	.431	.246	.433
SHEREX Part Number Metric - Steel	Thread Size	Radial Float	Grip Range		L ± .30	HD ± .38	HT ± .08	D Max.	IL Ref.	Hole Size +.15/-0.00
			Min.	Max.						
RFSL2-470-2.5	M4x0.7 ISO	0.50	0.5	2.5	10.30	14.10	.85	10.95	6.25	11.00
RFSL2-580-2.5	M5x0.8 ISO	0.50	0.5	2.5	10.30	14.10	.85	10.95	6.25	11.00

**SHEREX AEROSPACE PART NUMBERS**

RFSK2-0832-100MLZN  
RFSK2-1032-100MLZN

Prints and Technical Data are available at [www.sherex.com](http://www.sherex.com)

Patent Pending