

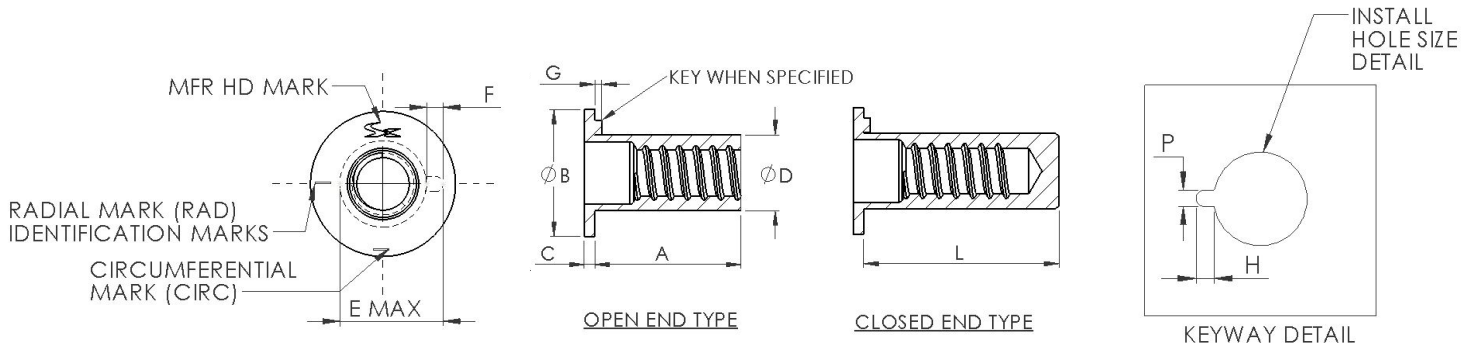
SHEREX NAS/MS RIVET NUTS



ISO/TS 16949:2009 Certified
ISO 9001:2008 Certified
AS9100 Certified



NAS/MS FLAT HEAD STYLES



UNIFIED THREAD (UNIT-INCHES)

THREAD SIZE	ØB +/- .015	C NOM	ØD +.000/- .004	INSTALL DRILL SIZE (REF)	INSTALL HOLE SIZE		E MAX	F +.005/- .000	G MAX	KEYWAY DIMENSIONS		*PULL UP FACTOR
					MIN	MAX				P +.003/- .000	H	
#4-40 UNC-3B	0.270	0.025	0.155	5/32	.155	.157	0.198	0.054	0.023	0.062	.046 - .048	.055
#6-32 UNC-3B	0.325	0.032	0.189	NO 12	.189	.193	0.240	0.054	0.023	0.062	.056 - .058	.065
#8-32 UNC-3B	0.357	0.032	0.221	NO 2	.221	.226	0.271	0.054	0.023	0.062	.056 - .058	.065
#10-24 UNC-3B	0.406	0.038	0.250	E	.250	.256	0.302	0.054	0.023	0.062	.056 - .058	.080
1/4-20 UNC-3B	0.475	0.058	0.332	Q	.332	.338	0.382	0.054	0.035	0.062	.056 - .058	.095
5/16-18 UNC-3B	0.665	0.062	0.413	Z	.413	.423	0.505	0.120	0.040	0.128	.097 - .102	.120
3/8-16 UNC-3B	0.781	0.088	0.490	12.5 MM	.490	.500	0.597	0.120	0.040	0.128	.110 - .115	.155
1/2-13 UNC-3B	0.906	0.085	0.625	5/8	.625	.635	0.733	0.120	0.040	0.128	.110 - .115	.185

*When using a pull to stroke installation tool use the following equations to determine approximate stroke distance:
 1. (rivet nut max grip) - (actual base material thickness) = (*X)
 2. (*X) + (pull up factor) = Stroke Distance

PART NUMBERING SYSTEM

Example: SXS2528-80CY

SX

Sherex
NAS Part

S

Material
S-Steel
A-Aluminum
SS- 430 Stainless Steel
NM- 316 Stainless
(Non-Magnetic)
CH-Alloy Steel
B-Brass

2528

Thread Size

(-)

(-) - Open Ended
Non Keyed
B-Closed End
K-Keyed
R-Ribbed

80

Grip Range
Ending in 0 or 5
denotes Flat Head

Ending in 1 or 6
denotes Countersunk
Head

CY

CY-Cadmium Yellow
ZY-Zinc Yellow
ML-Mechanical Lock

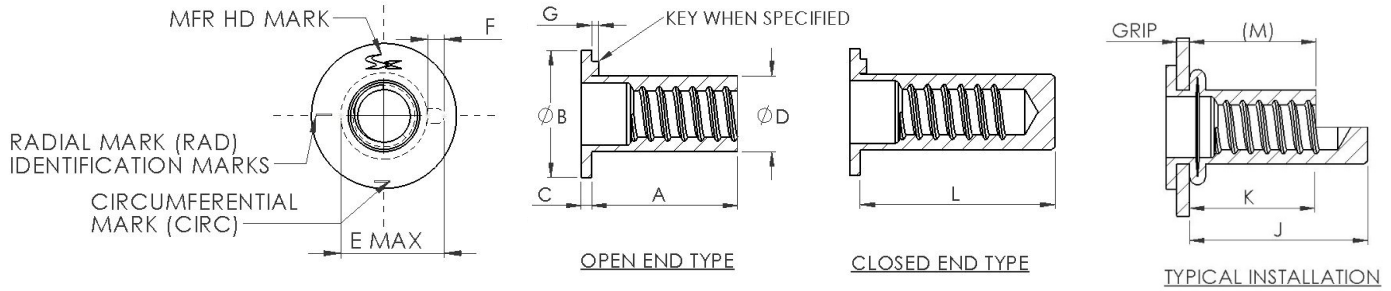
CLASSIFICATION PART STANDARD
NAS1329



CLASSIFICATION PART STANDARD
MS27130

*Compliant to DFARS 252.225-7009

NAS/MS FLAT HEAD STYLES

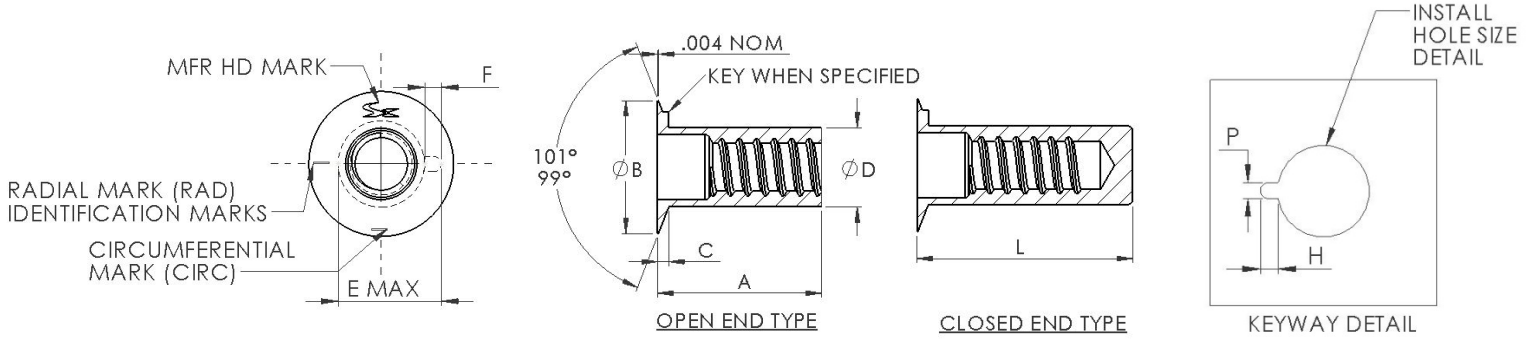


UNIFIED THREAD (UNIT-INCHES)

SHEREX PART NUMBER*	THREAD SIZE	GRIP RANGE	IDENTIFYING MARK	OPEN END KEYED AND KEYLESS		CLOSED END KEYLESS			CLOSED END KEYED		
				A +/- .015	M REF	L +/- .015	J NOM	K NOM	L +/- .015	J NOM	K NOM
SXS4-60CY	#4-40 UNC-3B	.010-.060	BLANK	0.345	0.230	0.500	0.385	0.230	0.500	0.385	0.230
SXS4-85CY		.060-.085	1 RAD	0.370	0.230	0.525	0.385	0.230	0.525	0.385	0.230
SXS4-110CY		.085-.110	2 RAD	0.400	0.230	0.555	0.390	0.230	0.555	0.390	0.230
SXS4-135CY		.110-.135	3 RAD	0.425	0.230	0.580	0.385	0.230	0.580	0.385	0.230
SXS4-160CY		.135-.160	4 RAD	0.450	0.230	0.605	0.385	0.230	0.605	0.385	0.230
SXS4-185CY		.160-.185	5 RAD	0.480	0.230	0.635	0.385	0.230	0.635	0.385	0.230
SXS6-75CY	#6-32 UNC-3B	.010-.075	1 RAD	0.438	0.300	0.625	0.490	0.305	0.750	0.615	0.405
SXS6-120CY		.075-.120	3 RAD	0.500	0.315	0.625	0.440	0.255	0.750	0.565	0.355
SXS6-160CY		.120-.160	5 RAD	0.500	0.270	0.750	0.520	0.260	0.750	0.520	0.310
SXS6-200CY		.160-.200	1 CIRC	0.562	0.290	0.750	0.480	0.260	0.750	0.480	0.260
SXS6-240CY		.200-.240	2 CIRC	0.625	0.310	0.750	0.435	0.260	0.750	0.435	0.260
SXS6-280CY		.240-.280	3 CIRC	0.687	0.330	0.812	0.455	0.265	0.812	0.455	0.265
SXS8-75CY	#8-32 UNC-3B	.010-.075	1 RAD	0.438	0.300	0.625	0.490	0.305	0.750	0.615	0.405
SXS8-120CY		.075-.120	3 RAD	0.500	0.315	0.625	0.440	0.255	0.750	0.565	0.355
SXS8-160CY		.120-.160	5 RAD	0.500	0.270	0.750	0.520	0.260	0.750	0.520	0.310
SXS8-200CY		.160-.200	1 CIRC	0.625	0.350	0.750	0.475	0.265	0.750	0.475	0.265
SXS8-240CY		.200-.240	2 CIRC	0.625	0.305	0.875	0.555	0.310	0.875	0.555	0.310
SXS8-280CY		.240-.280	3 CIRC	0.687	0.340	0.875	0.530	0.290	0.875	0.530	0.290
SXS1024-80CY	#10-24 UNC-3B	.010-.080	BLANK	0.531	0.380	0.781	0.630	0.380	0.781	0.630	0.380
SXS10-80CY	#10-32 UNF-3B										
SXS10-130CY		.080-.130	1 RAD	0.594	0.390	0.843	0.640	0.390	0.843	0.640	0.390
SXS10-180CY		.130-.180	2 RAD	0.641	0.390	0.891	0.640	0.390	0.891	0.640	0.390
SXS10-230CY		.180-.230	3 RAD	0.703	0.395	0.953	0.645	0.395	0.953	0.645	0.395
SXS10-280CY		.230-.280	4 RAD	0.750	0.395	1.000	0.645	0.395	1.000	0.645	0.395
SXS10-330CY		.280-.330	5 RAD	0.797	0.385	1.047	0.630	0.385	1.047	0.630	0.385
SXS2528-80CY	1/4-28 UNF-3B	.020-.080	BLANK	0.625	0.450	0.937	0.760	0.440	0.937	0.760	0.440
SXS25-80CY	1/4-20 UNC-3B										
SXS25-140CY		.080-.140	1 RAD	0.687	0.450	1.000	0.760	0.440	1.000	0.760	0.440
SXS25-200CY		.140-.200	2 RAD	0.750	0.450	1.062	0.760	0.440	1.062	0.760	0.440
SXS25-260CY		.200-.260	3 RAD	0.812	0.445	1.125	0.755	0.445	1.125	0.755	0.445
SXS25-320CY		.260-.320	4 RAD	0.875	0.445	1.187	0.755	0.445	1.187	0.755	0.445
SXS25-380CY		.320-.380	5 RAD	0.937	0.445	1.250	0.755	0.445	1.250	0.755	0.445
SXS3124-125CY	5/16-24 UNF-3B	.030-.125	BLANK	0.750	0.505	1.187	0.940	0.550	1.187	0.940	0.550
SXS31-125CY	5/16-18 UNC-3B										
SXS31-200CY		.125-.200	1 RAD	0.875	0.555	1.281	0.960	0.555	1.281	0.960	0.555
SXS31-275CY		.200-.275	2 RAD	0.937	0.540	1.343	0.950	0.560	1.343	0.950	0.560
SXS31-350CY		.275-.350	3 RAD	1.032	0.560	1.437	0.965	0.570	1.437	0.965	0.570
SXS31-425CY		.350-.425	4 RAD	1.125	0.580	1.531	0.985	0.575	1.531	0.985	0.575
SXS31-500CY		.425-.500	5 RAD	1.187	0.565	1.593	0.975	0.580	1.593	0.975	0.580
SXS3724-115CY	3/8-24 UNF-3B	.030-.115	BLANK	0.844	0.585	1.281	1.020	0.660	1.281	1.020	0.660
SXS37-115CY	3/8-16 UNC-3B										
SXS37-200CY		.115-.200	1 RAD	0.938	0.595	1.375	1.030	0.670	1.375	1.030	0.670
SXS37-285CY		.200-.285	2 RAD	1.031	0.605	1.468	1.040	0.680	1.468	1.040	0.680
SXS37-370CY		.285-.370	3 RAD	1.125	0.615	1.562	1.050	0.690	1.562	1.050	0.690
SXS37-455CY		.370-.455	4 RAD	1.218	0.630	1.656	1.065	0.710	1.656	1.065	0.710
SXS37-540CY		.455-.540	5 RAD	1.312	0.635	1.750	1.075	0.715	1.750	1.075	0.715
SXS5020-150CY	1/2-20 UNF-3B	.050-.150	BLANK	0.906	0.605	1.328	1.030	0.605	1.328	1.030	0.605
SXS50-150CY	1/2-13 UNC-3B										
SXS50-250CY		.150-.250	1 RAD	1.031	0.630	1.453	1.055	0.630	1.453	1.055	0.630
SXS50-350CY		.250-.350	2 RAD	1.141	0.640	1.562	1.060	0.640	1.562	1.060	0.640
SXS50-450CY		.350-.450	3 RAD	1.250	0.650	1.671	1.070	0.650	1.671	1.070	0.650

*Note: part numbers reflect steel, open-end, non-keyed, with cadmium yellow plating only. Please refer to part numbering system outline for further configurations.

NAS/MS COUNTERSUNK HEAD STYLES



UNIFIED THREAD (UNIT-INCHES)

THREAD SIZE	ØB NOM	C MAX	ØD +.000/-.004	INSTALL DRILL SIZE (REF)	INSTALL HOLE SIZE		E MAX	F +.005/-.000	KEYWAY DIMENSIONS		*PULL UP FACTOR
					MIN	MAX			P +.003/-.000	H	
#4-40 UNC-3B	.263	.051	.155	5/32	.155	.157	.198	.054	.062	.046 - .048	.055
#6-32 UNC-3B	.323	.063	.189	NO 12	.189	.193	.240	.054	.062	.056 - .058	.065
#8-32 UNC-3B	.355	.063	.221	NO 2	.221	.226	.271	.054	.062	.056 - .058	.065
#10-24 UNC-3B	.391	.065	.250	E	.250	.256	.302	.054	.062	.056 - .058	.080
#10-32 UNF-3B											
1/4-20 UNC-3B	.529	.089	.332	Q	.332	.338	.382	.054	.062	.056 - .058	.095
1/4-28 UNF-3B											
5/16-18 UNC-3B	.656	.104	.413	Z	.413	.423	.505	.120	.128	.097 - .102	.120
5/16-24 UNF-3B											
3/8-16 UNC-3B	.770	.124	.490	12.5 MM	.490	.500	.597	.120	.128	.110 - .115	.155
3/8-24 UNF 3B											
1/2-13 UNC-3B	.906	.124	.625	5/8	.625	.635	.733	.120	.128	.110 - .115	.185
1/2-20 UNF-3B											

*When using a pull to stroke installation tool use the following equations to determine approximate stroke distance:
 1. (rivet nut max grip) - (actual base material thickness) = ("X") 2. ("X") + (pull up factor) = Stroke Distance

PART NUMBERING SYSTEM

Example: SXS2528-80CY

SX	S	2528	(-)	80	CY
Sherex NAS Part	Material S-Steel A-Aluminum SS- 430 Stainless Steel NM- 316 Stainless (Non-Magnetic) CH-Alloy Steel B-Brass	Thread Size	(-) - Open Ended Non Keyed B-Closed End K-Keyed R-Ribbed	Grip Range Ending in 0 or 5 denotes Flat Head Ending in 1 or 6 denotes Countersunk Head	CY-Cadmium Yellow ZY-Zinc Yellow ML-Mechanical Lock

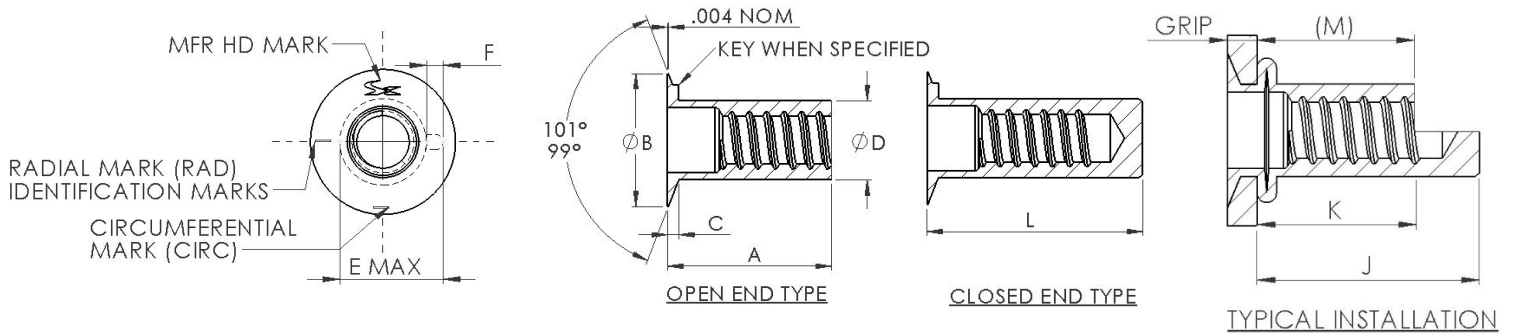
CLASSIFICATION PART STANDARD
NAS1330



CLASSIFICATION PART STANDARD
MS27130

*Compliant to DFARS 252.225-7009

NAS/MS COUNTERSUNK HEAD STYLES



UNIFIED THREAD (UNIT-INCHES)

SHEREX PART NUMBER*	THREAD SIZE	GRIP RANGE	IDENTIFYING MARK	OPEN END KEYED AND KEYLESS		CLOSED END KEYLESS			CLOSED END KEYED		
				A +/- .015	M REF	L +/- .015	J NOM	K NOM	L +/- .015	J NOM	K NOM
SXS4-81CY	#4-40 UNC-3B	.050-.081	BLANK	0.370	0.235	0.525	0.390	0.235	0.525	0.390	0.235
SXS4-106CY		.081-.106	1 RAD	0.395	0.235	0.550	0.390	0.235	0.550	0.390	0.235
SXS4-131CY		.106-.131	2 RAD	0.420	0.235	0.575	0.390	0.235	0.575	0.390	0.235
SXS4-156CY		.131-.156	3 RAD	0.450	0.235	0.600	0.390	0.235	0.600	0.390	0.235
SXS4-181CY		.156-.181	4 RAD	0.475	0.235	0.625	0.390	0.235	0.625	0.390	0.235
SXS4-206CY		.181-.206	5 RAD	0.500	0.235	0.650	0.390	0.235	0.650	0.390	0.235
SXS6-106CY	#6-32 UNC-3B	.065-.106	BLANK	0.500	0.325	0.687	0.510	0.325	0.812	0.635	0.425
SXS6-161CY		.106-.161	2 RAD	0.500	0.280	0.687	0.465	0.280	0.812	0.590	0.380
SXS6-201CY		.161-.201	4 RAD	0.562	0.295	0.687	0.420	0.260	0.812	0.545	0.335
SXS6-241CY		.201-.241	1 CIRC	0.625	0.315	0.812	0.505	0.295	0.812	0.505	0.295
SXS6-281CY		.241-.281	2 CIRC	0.625	0.270	0.812	0.465	0.265	0.812	0.465	0.265
SXS6-321CY		.281-.321	3 CIRC	0.687	0.290	0.844	0.455	0.265	0.844	0.455	0.265
SXS8-106CY	#8-32 UNC-3B	.065-.106	BLANK	0.500	0.325	0.687	0.510	0.325	0.812	0.635	0.425
SXS8-161CY		.106-.161	2 RAD	0.500	0.280	0.687	0.465	0.280	0.812	0.590	0.380
SXS8-201CY		.161-.201	4 RAD	0.562	0.290	0.687	0.415	0.255	0.812	0.540	0.330
SXS8-241CY		.201-.241	1 CIRC	0.625	0.310	0.875	0.560	0.290	0.875	0.560	0.290
SXS8-281CY		.241-.281	2 CIRC	0.687	0.325	0.875	0.515	0.290	0.875	0.515	0.290
SXS8-321CY		.281-.321	3 CIRC	0.687	0.295	0.875	0.485	0.300	0.875	0.485	0.300
SXS1024-116CY	#10-24 UNC-3B	.065-.116	BLANK	0.578	0.395	0.828	0.645	0.395	0.828	0.645	0.395
SXS10-116CY	#10-32 UNF-3B										
SXS10-166CY		.116-.166	1 RAD	0.625	0.385	0.875	0.635	0.385	0.875	0.635	0.385
SXS10-216CY		.166-.216	2 RAD	0.687	0.400	0.938	0.650	0.400	0.938	0.650	0.400
SXS10-266CY		.216-.266	3 RAD	0.734	0.390	0.984	0.640	0.390	0.984	0.640	0.390
SXS10-316CY		.266-.316	4 RAD	0.781	0.385	1.031	0.635	0.385	1.031	0.635	0.385
SXS10-366CY		.316-.366	5 RAD	0.844	0.400	1.094	0.650	0.400	1.094	0.650	0.400
SXS2528-151CY	1/4-28 UNF-3B	.089-.151	BLANK	0.687	0.440	1.000	0.750	0.435	1.000	0.750	0.435
SXS25-151CY	1/4-20 UNC-3B										
SXS25-211CY		.151-.211	1 RAD	0.750	0.440	1.062	0.750	0.435	1.062	0.750	0.435
SXS25-271CY		.211-.271	2 RAD	0.812	0.440	1.125	0.750	0.435	1.125	0.750	0.435
SXS25-331CY		.271-.331	3 RAD	0.875	0.435	1.187	0.750	0.435	1.187	0.750	0.435
SXS25-391CY		.331-.391	4 RAD	0.937	0.435	1.250	0.750	0.435	1.250	0.750	0.435
SXS25-451CY		.391-.451	5 RAD	1.000	0.435	1.312	0.760	0.445	1.312	0.760	0.445
SXS3124-181CY	5/16-24 UNF-3B	.106-.181	BLANK	0.844	0.540	1.218	0.915	0.540	1.218	0.915	0.540
SXS31-181CY	5/16-18 UNC-3B										
SXS31-256CY		.181-.256	1 RAD	0.937	0.560	1.312	0.935	0.560	1.312	0.935	0.560
SXS31-331CY		.256-.331	2 RAD	1.000	0.550	1.406	0.955	0.550	1.406	0.955	0.550
SXS31-406CY		.331-.406	3 RAD	1.093	0.565	1.468	0.940	0.565	1.468	0.940	0.565
SXS31-481CY		.406-.481	4 RAD	1.156	0.555	1.562	0.960	0.555	1.562	0.960	0.555
SXS31-556CY		.481-.556	5 RAD	1.250	0.575	1.625	0.950	0.575	1.625	0.950	0.575
SXS3724-211CY	3/8-24 UNF-3B	.125-.211	BLANK	0.938	0.580	1.375	1.020	0.655	1.375	1.020	0.655
SXS37-211CY	3/8-16 UNC-3B										
SXS37-296CY		.211-.296	1 RAD	1.031	0.590	1.468	1.030	0.655	1.468	1.030	0.655
SXS37-381CY		.296-.381	2 RAD	1.125	0.600	1.562	1.040	0.675	1.562	1.040	0.675
SXS37-466CY		.381-.466	3 RAD	1.219	0.615	1.656	1.050	0.690	1.656	1.050	0.690
SXS37-551CY		.466-.551	4 RAD	1.312	0.625	1.750	1.065	0.705	1.750	1.065	0.705
SXS37-636CY		.551-.636	5 RAD	1.442	0.650	1.859	1.090	0.715	1.859	1.090	0.715
SXS5020-226CY	1/2-20 UNF-3B	.125-.226	BLANK	0.984	0.610	1.406	1.030	0.610	1.406	1.030	0.610
SXS50-226CY	1/2-13 UNC-3B										
SXS50-326CY		.226-.326	1 RAD	1.094	0.620	1.515	1.040	0.620	1.515	1.040	0.620
SXS50-426CY		.326-.426	2 RAD	1.218	0.640	1.625	1.050	0.640	1.625	1.050	0.640
SXS50-526CY		.426-.526	3 RAD	1.312	0.635	1.750	1.075	0.635	1.750	1.075	0.635

*Note: part numbers reflect steel, open-end, non-keyed, with cadmium yellow plating only. Please refer to part numbering system outline for further configurations.

HYDRO-PNEUMATIC TOOLS

FLEX-5 TOOL



FEATURES AND BENEFITS

One tool with Pull to Pressure and Pull to Stroke Capabilities.

- 5,000 lbs (22kN) pulling force at 90 psi
- 7 mm (0.276in.) of available stroke
- Upgradeable to process monitoring

FLEX-18 TOOL



FEATURES AND BENEFITS

The most powerful tool on the market able to utilize Pull to Pressure and Pull to Stroke installation methods.

- 18,000 lbs. (80 kN) of pulling force
- 15 mm (.591 in) of available stroke
- Upgradeable to process monitoring

HEAD SETS FOR STANDARD RIVET NUTS (FLEX-5)

Thread Size	Complete Headset	Anvil	Mandrel	Hex Driver	Reducing sleeve
M3	FL5-HS-M3	FL5-HS-00903	M-M3-40	FL5-HS-01003	FL5-HS-09103
M4	FL5-HS-M4	FL5-HS-00904	M-M4-55	FL5-HS-01004	FL5-HS-09104
M5	FL5-HS-M5	FL5-HS-00905	M-M5-65	FL5-HS-01005	FL5-HS-09105
M6	FL5-HS-M6	FL5-HS-00906	M-M6-65	FL5-HS-01006	FL5-HS-09106
M8	FL5-HS-M8	FL5-HS-00908	M-M8-65	FL5-HS-01008	FL5-HS-09108
M10	FL5-HS-M10	FL5-HS-00910	M-M10-65	FL5-HS-01010	XXXX
# 4-40 UNC	FL5-HS-0440	FL5-HS-00854	M-0440-175	FL5-HS-00754	FL5-HS-09154
# 6-32 UNC	FL5-HS-0632	FL5-HS-00856	M-0632-175	FL5-HS-00756	FL5-HS-09156
# 8-32 UNC	FL5-HS-0832	FL5-HS-00858	M-0832-175	FL5-HS-00758	FL5-HS-09158
# 10-24 UNC	FL5-HS-1024	FL5-HS-00850	M-1024-250	FL5-HS-00750	FL5-HS-09150
# 10-32 UNF	FL5-HS-1032	FL5-HS-00850	M-1032-250	FL5-HS-00750	FL5-HS-09150
1/4-20 UNC	FL5-HS-2520	FL5-HS-00848	M-2520-250	FL5-HS-00748	FL5-HS-09148
1/4-28 UNF	FL5-HS-2528	FL5-HS-00848	M-2528-250	FL5-HS-00748	FL5-HS-09148
5/16-18 UNC	FL5-HS-3118	FL5-HS-00840	M-3118-250	FL5-HS-00740	FL5-HS-09140
5/16-24 UNF	FL5-HS-3124	FL5-HS-00840	M-3124-250	FL5-HS-00740	FL5-HS-09140
3/8-16 UNC	FL5-HS-3716	FL5-HS-00842	M-3716-250	FL5-HS-00742	XXXX
3/8-24 UNF	FL5-HS-3724	FL5-HS-00842	M-3724-250	FL5-HS-00742	XXXX

HEAD SETS FOR STANDARD NOSE CASE (FLEX-18)

Thread Size	Complete Headset	Anvil	Mandrel	Hex Driver	Adaptor Nut
M8	FL18-HS-M8	FL18-HS-00908	M-M8-65	FL5-HS-01008	FL18-HS-09108
M10	FL18-HS-M10	FL18-HS-00910	M-M10-65	FL5-HS-01010	FL18-HS-09110
M12	FL18-HS-M12	FL18-HS-00912	M-M12-65	FL18-HS-01012	FL18-HS-09112
5/16-18 UNC	FL18-HS-3118	FL18-HS-00908	M-3118-250	FL5-HS-00740	FL18-HS-09108
5/16-24 UNF	FL18-HS-3124	FL18-HS-00908	M-3124-250	FL5-HS-00740	FL18-HS-09108
3/8-16 UNC	FL18-HS-3716	FL18-HS-00910	M-3716-300	FL5-HS-00742	FL18-HS-09110
3/8-24 UNF	FL18-HS-3724	FL18-HS-00910	M-3724-300	FL5-HS-00742	FL18-HS-09110
1/2-13 UNC	FL18-HS-5013	FL18-HS-00950	M-5013-300	FL18-HS-00750	FL18-HS-09150
1/2-20 UNF	FL18-HS-5020	FL18-HS-00950	M-5020-300	FL18-HS-00750	FL18-HS-09150

HEAD SETS FOR LARGE THREAD NOSE CASE (FLEX-18)

Thread Size	Complete Headset	Anvil	Mandrel
M16	FL18-HS-M16	FL18-HS-00916	M-M16-FL18
5/8-11 UNC	FL18-HS-6211	FL18-HS-00962	M-6211-FL18
3/4-10 UNC	FL18-HS-7510	FL18-HS-00975	M-7510-FL18

HEAD SETS FOR RIV-FLOAT® (FLEX-5)

Thread Size	Complete Headset	Anvil (1 + 2)	Mandrel (3)	Hex Driver (4)	Reducing sleeve (5)
M4	FL5-HS-2528R	FL5-HS-00848	M-2528-225	FL5-HS-00748	FL5-HS-09148
M5	FL5-HS-M5R	FL5-HS-R0995	M-M5-65	FL5-HS-01005	FL5-HS-09105
M6	FL5-HS-M6R	FL5-HS-R0996	M-M6-65	FL5-HS-01006	FL5-HS-09106
# 4-40 UNC	FL5-HS-2528R	FL5-HS-00848	M-2528-225	FL5-HS-00748	FL5-HS-09148
# 6-32 UNC	FL5-HS-2528R	FL5-HS-00848	M-2528-225	FL5-HS-00748	FL5-HS-09148
# 8-32 UNC	FL5-HS-2528R	FL5-HS-00848	M-2528-225	FL5-HS-00748	FL5-HS-09148
# 10-24 UNC	FL5-HS-1024R	FL5-HS-R0950	M-1024-250	FL5-HS-00750	FL5-HS-09150
# 10-32 UNF	FL5-HS-1032R	FL5-HS-R0950	M-1032-250	FL5-HS-00750	FL5-HS-09150
1/4-20 UNC	FL5-HS-2520R	FL5-HS-R0948	M-2520-250	FL5-HS-00748	FL5-HS-09148
1/4-28 UNF	FL5-HS-2528R1	FL5-HS-R0948	M-2528-250	FL5-HS-00748	FL5-HS-09148

CHECK OUT OUR DEMO AT WWW.SHEREX.COM

RIVET NUT HAND TOOLS



LHF 202 (Imperial Tool) Includes: 8-32, 10-24, 1/4-20 head sets

LHF 202M (Metric Tool) Includes: M4, M5, M6 head sets

Thread Size	Mandrel	Anvil
6-32	LHFM 0632	LHFA 0632
8-32	LHFM 0832	LHFA 0832
10-24	LHFM 1024	LHFA 10
10-32	LHFM 1032	LHFA 10
1/4-20	LHFM 2520	LHFA 25

RIV-FLOAT® Thread Size	RIV-FLOAT® Mandrel	RIV-FLOAT® Anvil
6-32	LHFM 2528	LHFA 25
8-32	LHFM 2528	LHFA 25
10-32	LHFM 1032	LHFA 10RF
1/4-20	LHFM 2520	LHFA 25RF
M4	LHFM 2528	LHFA 25
M5	LHFM M5	LHFA M5RF
M6	LHFM M6	LHFA M6RF

M4 (Imperial Tool) Includes: 1/4-20, 5/16-18, 3/8-16, and 1/2-13 head sets

M4 (Metric Tool) Includes: M6, M8, M10, and M12 head sets

M5 (Imperial Tool) Includes: 10-32, 1/4-20, 5/16-18, and 3/8-16 head sets

M5 (Metric Tool) Includes: M5, M6, M8, and M10 head sets

HEAVY DUTY



M4 HAND TOOL

RATCHET STYLE



M5 HAND TOOL

Thread Size	Head Sets (Includes Anvil & Mandrel)	Anvil	Mandrel
6-32	MHS-0632	MA-0632	M-0632
8-32	MHS-0832	MA-0832	M-0832
10-24	MHS-1024	MA-1024	M-1024
10-32	MHS-1032	MA-1032	M-1032
1/4-20	MHS-2520	MA-2520	M-2520
1/4-28	MHS-2528	MA-2528	M-2528
5/16-18	MHS-3118	MA-3118	M-3118
5/16-24	MHS-3124	MA-3124	M-3124
3/8-16	MHS-3716	MA-3716	M-3716
3/8-24	MHS-3724	MA-3724	M-3724
1/2-13	MHS-5013	MA-5013	M-5013
1/2-20	MHS-5020	MA-5020	M-5020
M4	MHS-M4	MA-M4	M-M4
M5	MHS-M5	MA-M5	M-M5
M6	MHS-M6	MA-M6	M-M6
M8	MHS-M8	MA-M8	M-M8
M10	MHS-M10	MA-M10	M-M10
M12	MHS-M12	MA-M12	M-M12



Part Number	Thread
RNHT-0632	6-32
RNHT-0832	8-32
RNHT-1024	10-24
RNHT-1032	10-32
RNHT-2520	1/4-20
RNHT-2528	1/4-28
RNHT-3118	5/16-18
RNHT-3124	5/16-24
RNHT-3716	3/8-16
RNHT-3724	3/8-24
RNHT-4320	7/16-20
RNHT-M3	M3
RNHT-M4	M4
RNHT-M5	M5
RNHT-M6	M6
RNHT-M8	M8

RIV-FLOAT® Thread Size	RIV-FLOAT® Part Number
6-32	RNHT-2528RF
8-32	RNHT-2528RF
10-32	RNHT-1032RF
1/4-20	RNHT-2520RF
M4	RNHT-2528RF
M5	RNHT-M5RF
M6	RNHT-M6RF

SHEREX FASTENING SOLUTIONS



Fastening Systems Engineered for Performance™

Sherex Fastening Solutions, LLC is a global manufacturer with a unique market approach in engineered fastening solutions. We combine fasteners, tooling, and automation to deliver the best solution at the lowest total installed cost.

Sherex manufactures products for the Automotive, Aerospace and Defense, Agriculture and Construction Equipment, General Industrial, and Heavy Truck markets.



Sherex Fastening Solutions Manufacturing Facility in Akron, OH

Sherex provides unparalleled engineering and sales support before, during, and after the sale to end users and distributors worldwide, offering the best possible fastening solution at the lowest total installed cost.



SHEREX FASTENING SOLUTIONS®



SHEREX TAIWAN CO.



SHEREX MEXICO S de RL de CV

Co-Founder of the A-FAS Group
The Automated Fastener Assembly Systems Group

C-NAS 04/2015

